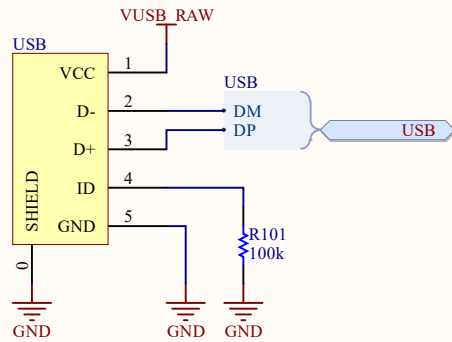
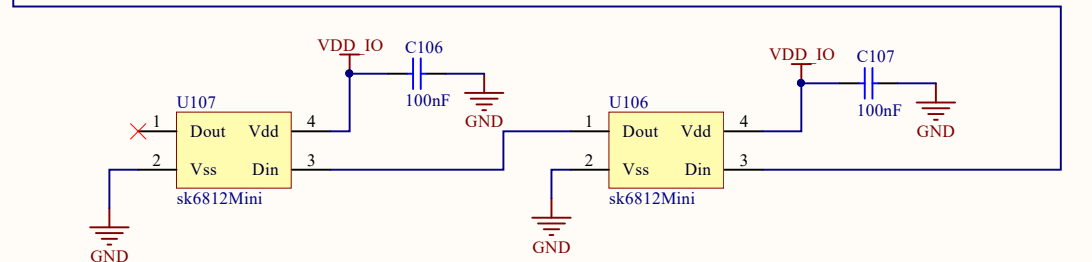
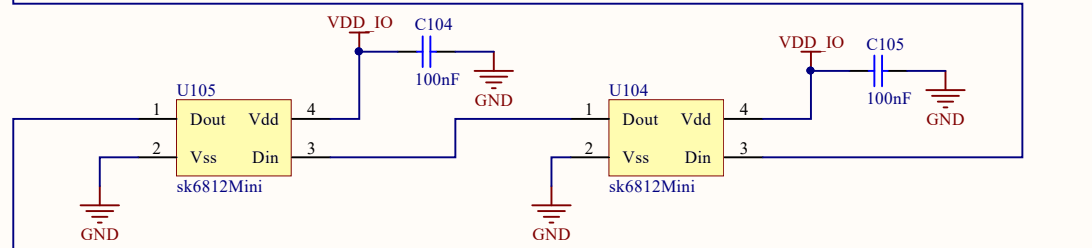
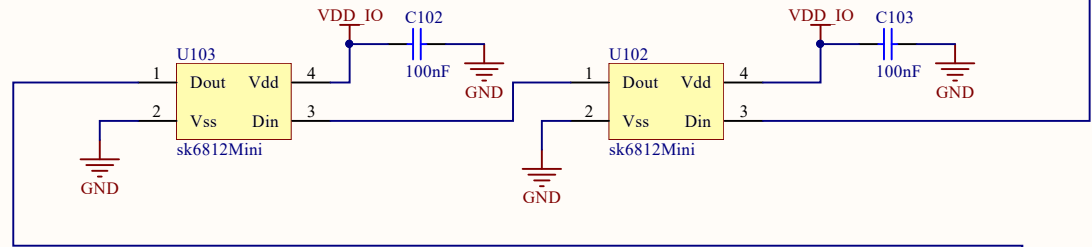
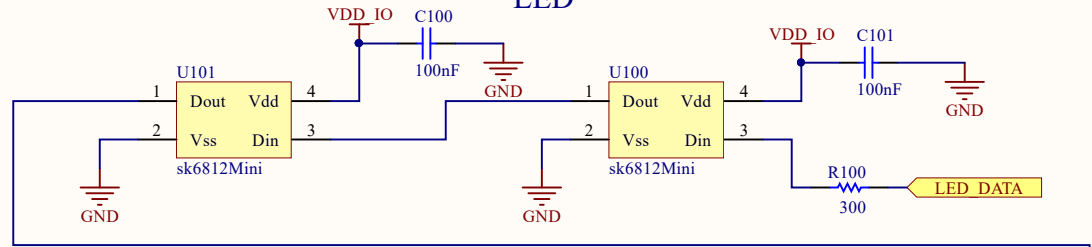
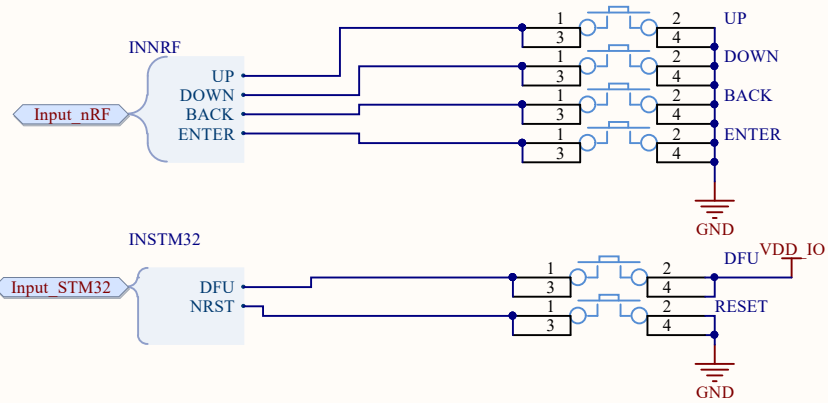


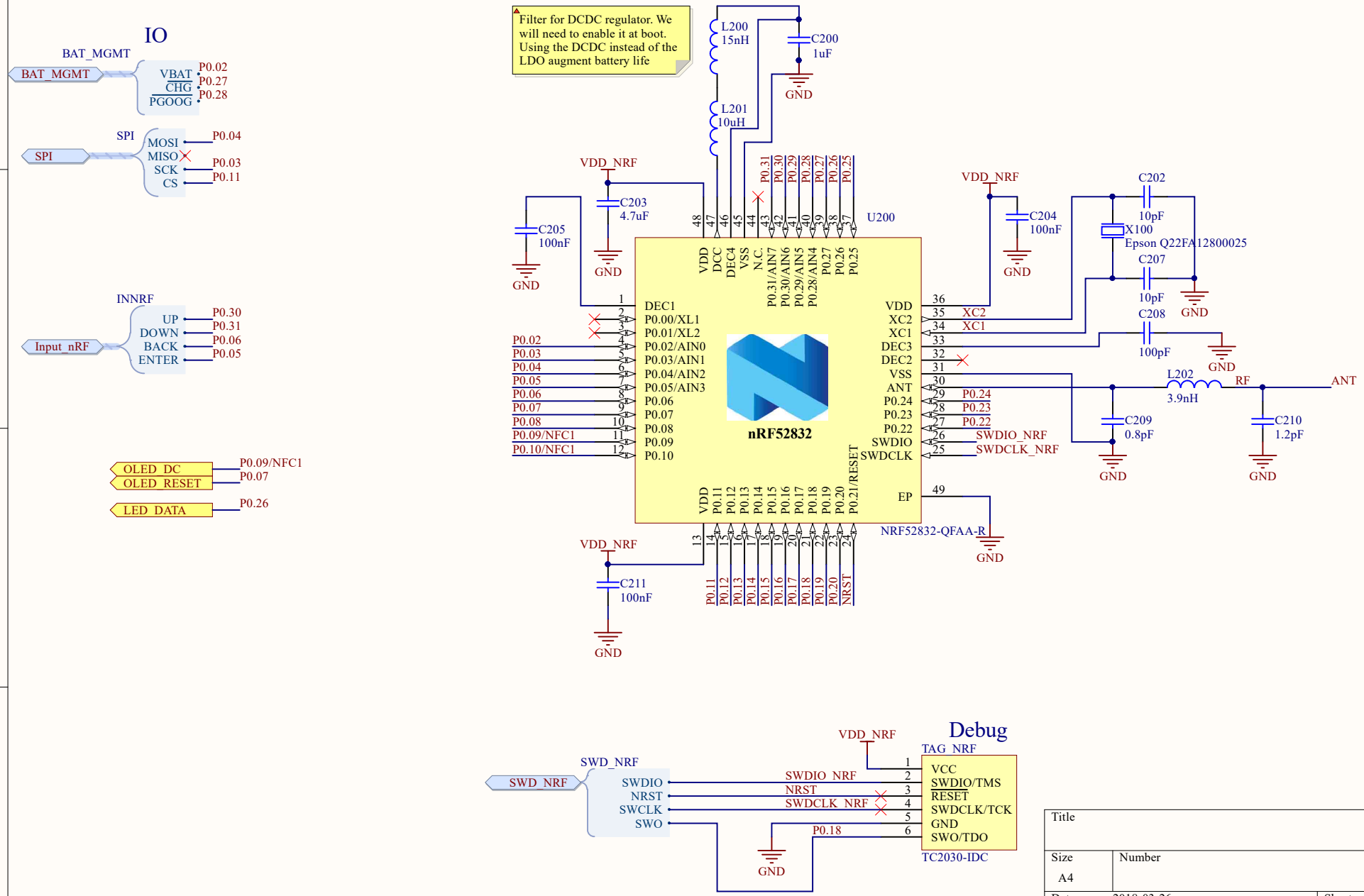
Title		
Size	Number	Revision
A4		
Date:	2018-03-26	Sheet of
File:	Badge.SchDoc	Drawn By:

### Input

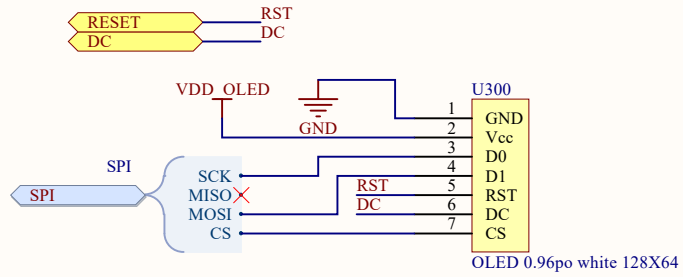
### LED



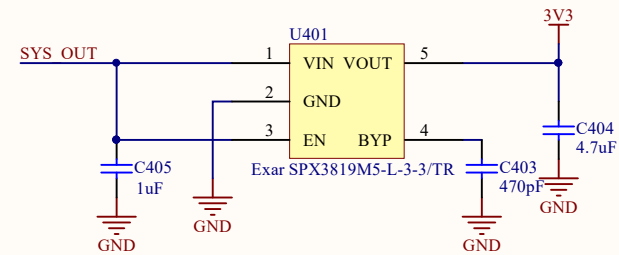
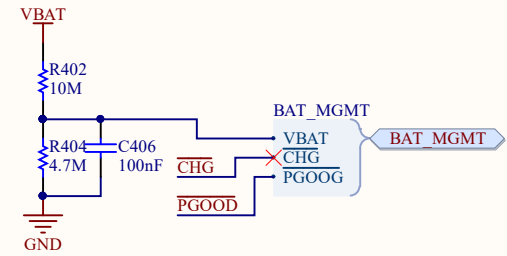
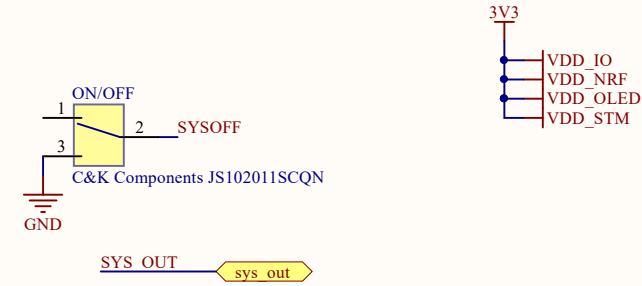
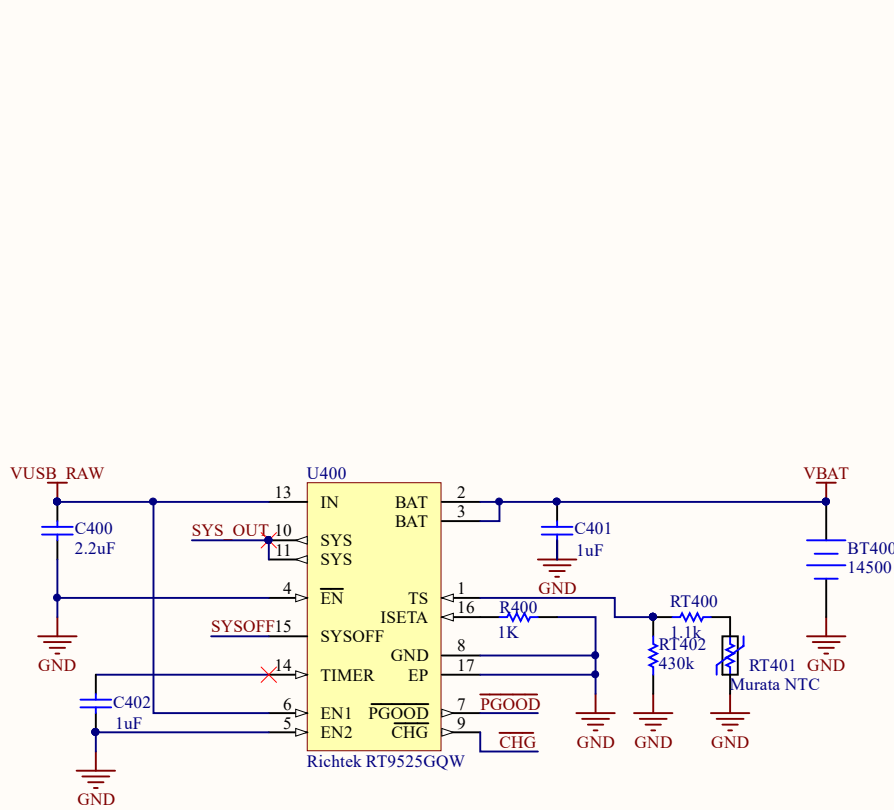
Title		
Size	Number	Revision
A4		
Date:	2018-03-26	Sheet of
File:	IO&Leds.SchDoc	Drawn By:



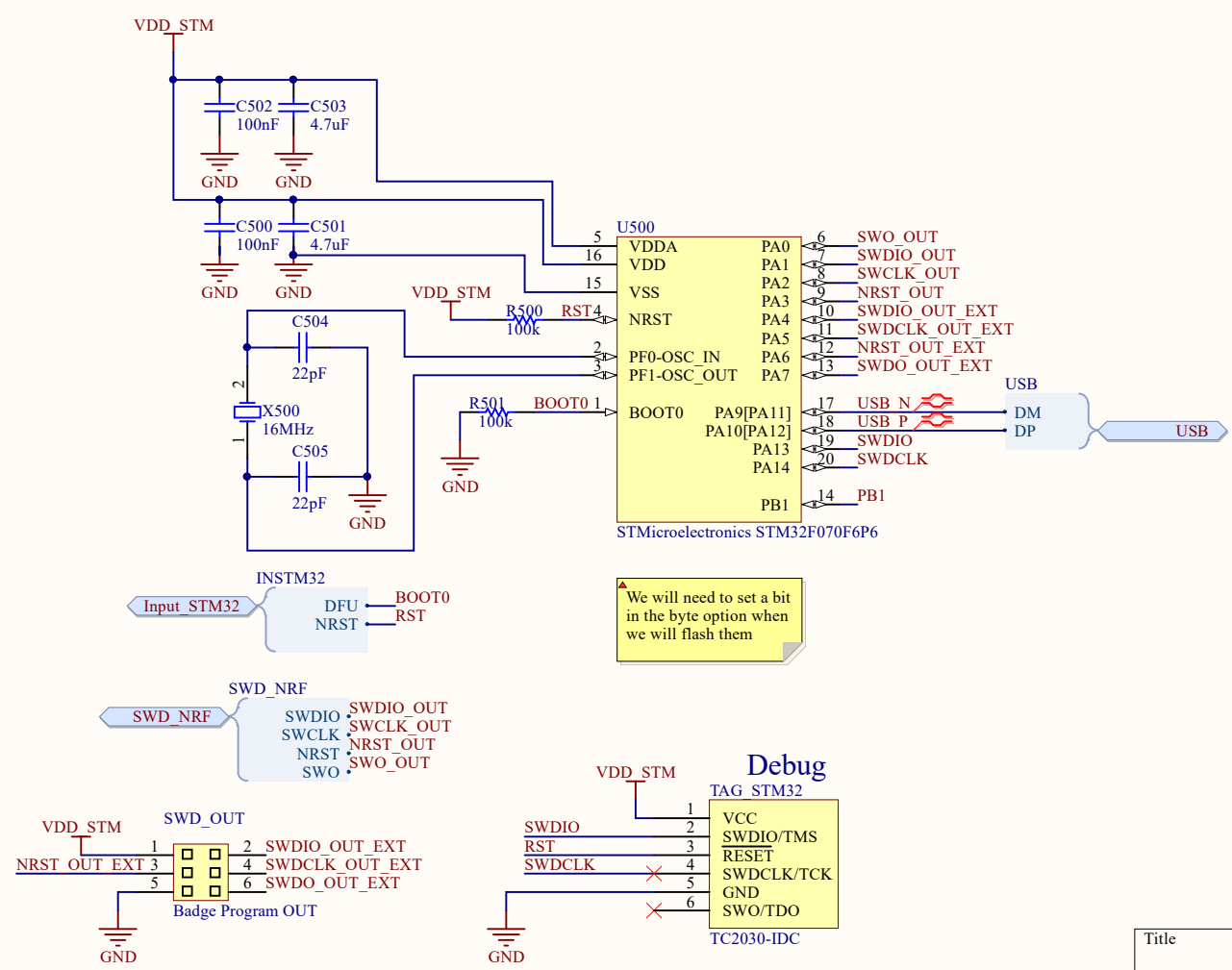
Title		
Size	Number	Revision
A4		
Date:	2018-03-26	Sheet of
File:	NRF.SchDoc	Drawn By:



Title		
Size A4	Number	Revision
Date:	2018-03-26	Sheet of
File:	OLED.SchDoc	Drawn By:



Title		
Size	Number	Revision
A4		
Date:	2018-03-26	Sheet of
File:	Power.SchDoc	Drawn By:



▲ We will need to set a bit in the byte option when we will flash them

Title		
Size	Number	Revision
A4		
Date:	2018-03-26	Sheet of
File:	STM32.SchDoc	Drawn By: